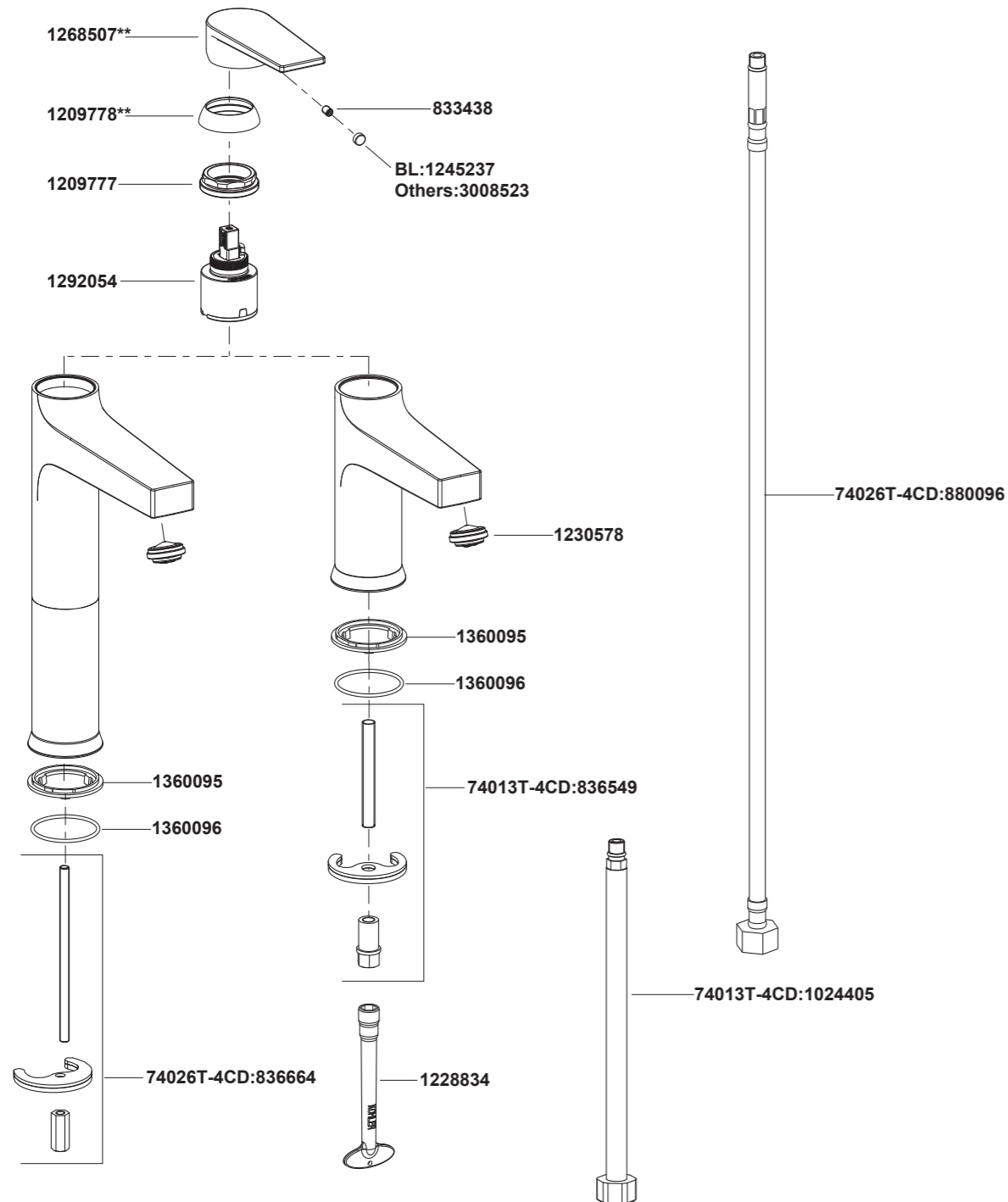


74013T-4CD Cold Water Lavatory Faucet
74026T-4CD Cold Water Tall Lavatory Faucet



**Color code must be specified when ordering.
NOTE: For all Asia pacific regions (excluding China) add SP (SPxxxxxx**) in front of the part number when ordering.

74013T-4CD Cold Water Lavatory Faucet
74026T-4CD Cold Water Tall Lavatory Faucet

BEFORE YOU BEGIN

All information is based on the latest product information available at the time of publication. Kohler Co. reserves the right to make changes in product characteristics, packaging, or availability at any time without notice.

Please leave these instructions for the consumer. They contain important information.

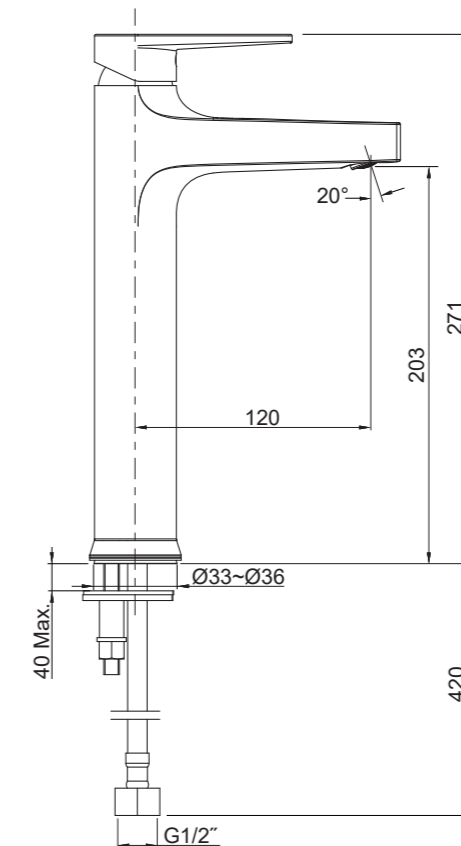
NOTES:

1. Flush the water supply pipes thoroughly to remove debris.
2. If possible, install this faucet before installing the lavatory.
3. Inspect the supply tubing for damage and leakage. Replace and maintain as necessary.
4. Observe local plumbing codes.
5. Shut off the water supplies to the fitting.

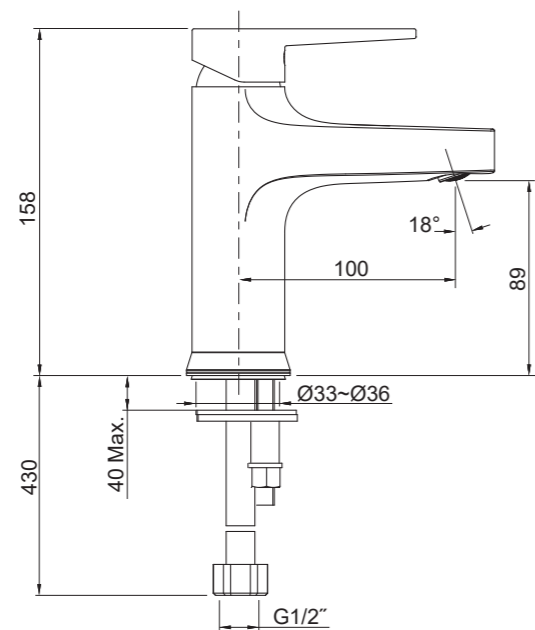
STANDARD APPLICABLE

Special model meets or exceeds the following at date of manufacture: TIS

ROUGH-IN DIMENSIONS

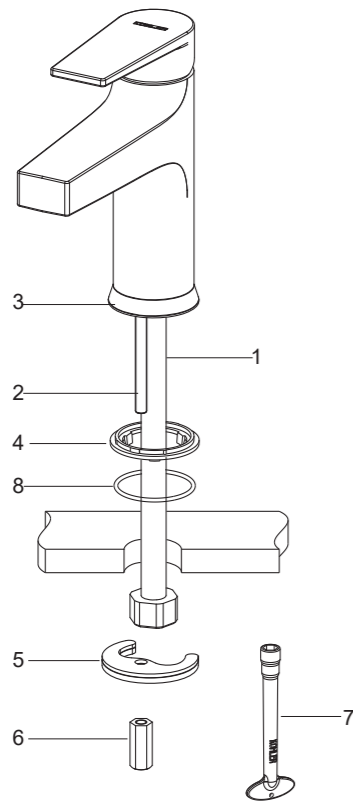


74026T-4CD



74013T-4CD

INSTALLATION



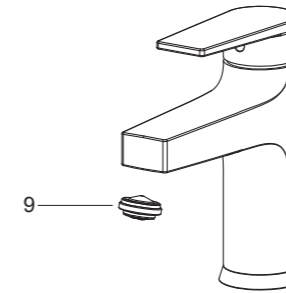
Install the mounting stud(2) onto the bottom(3) of the faucet.

Put O-ring(8) onto the backside of the base(4). Install the base into the underside groove of faucet body through the hose(1) and mounting stud.

Insert the faucet assembly into the lavatory hole. Position the faucet. From underside of the lavatory, place the bracket(5, Rubber washer is on the top) onto the mounting stud, and tighten the nut(6) by tool(7) to secure the faucet.

Attach the hose to water supply.

INSTALLATION CHECKOUT



Ensure that all connections are tightened. Ensure that the handle is in the off position. Turn on the drain and main water supply, and check for leaks. Repair as needed.

Remove the aerator(9) by coin. Turn on the faucet. Run water through the spout for about one minute to remove any debris. Remove debris from the aerator. Shut off the faucet and reinstall the aerator.

CLEANING INSTRUCTIONS

All Finishes: Clean the finish with mild soap and warm water. Wipe entire surface completely dry with clean soft cloth. Many cleaners may contain chemicals, such as ammonia, chlorine, toilet cleaner etc, which could adversely affect the finish and are not recommended for cleaning.

Do not use abrasive cleaners or solvents on Kohler faucets and fittings.